

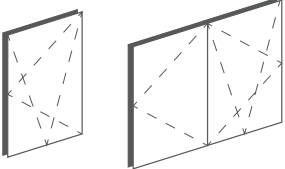


IMPACT RATED UNITS



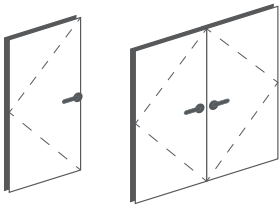
Fixed Window

Dimension: 234" x 120"
DP: ± 65 psf
Brass, Corten, Steel



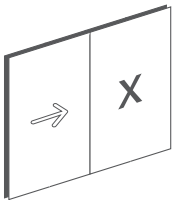
Single Casement, French Casement

Dimension: 72" x 96"
DP: ± 60 psf
Brass, Corten, Steel



Hinged Doors

Dimension: 72" x 108"
DP: ± 55 psf
Brass, Corten, Steel



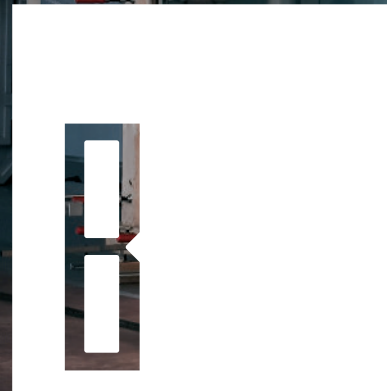
Lift and Slide Doors

Sash Dimension: 40" x 110"
DP: ± 75 psf
Brass, Corten, Steel

THE WORLD'S LARGEST LUXURY METAL IMPACT RATED WINDOW

BROMBAL
LUXURY METAL WINDOWS AND DOORS

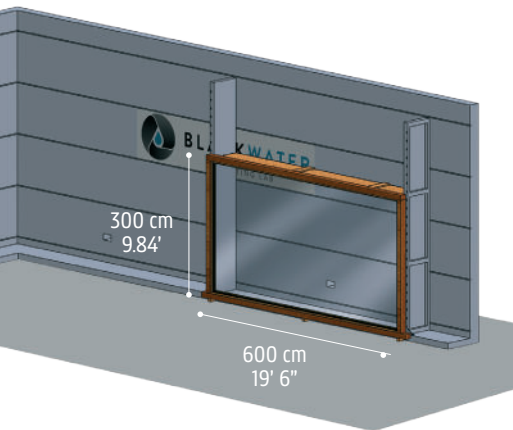
www.brombalusa.com
+1 855 287 2258
sales@brombalusa.com



BROMBAL

MONUMENTAL POSSIBILITIES

Discover freedom to create with Brombal's four beautiful metals, countless design options, energy efficient thermal break and superior product performance testing of the highest standards in the world. Beauty meets function with our exquisite craftsmanship coupled with third-party-verified performance. Brombal works with the Blackwater Testing Laboratory to assess: air and water infiltration, structural integrity and impact.



ENORMOUS IMPACT

Brombal is the only luxury metal thermally broken product to ever receive impact certification. We take great pride in setting the highest performance standards in the industry and in setting the bar to greater heights. We recently passed impact performance requirements on the largest fixed unit to undergo testing with ultra narrow frame profiles and massive glass.

Product/testing details:

- 19' 6" x 9.84'
- DP: \pm 65 psf
- air-leakage pressure: 6.24 psf
- water penetration test: 20% DP (Class AW)
- 9/16" Temp Glass - 13/16" Spacer - 5/16" HS Glass
- SGP 0.105" 5/16" HS Glass

BROMBAL
LUXURY METAL WINDOWS AND DOORS